

Constructed from high quality satin stainless steel, the Elite Combination units offer the additional benefit of adjustable depth. Therefore these units can be recessed, semi recessed or wall mounted. A choice between hand dryer/paper towel or a double paper unit is available. The lockable paper towel unit has a 600 towel capacity.



RECESSED ELITE COMBINATION UNIT

Hand dryer, paper towel dispenser combination including 30 litre waste bin. The pack includes sliding trim for recessing. Wall opening for recess W360 H1365 D112-137*.

LRP 3CS Satin.

WALL MOUNTED ELITE COMBINATION UNIT

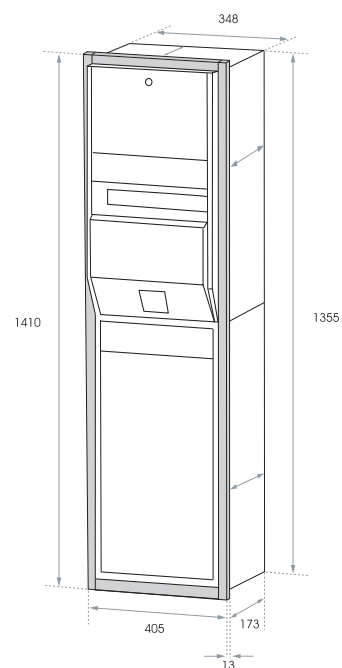
Hand dryer, paper towel dispenser combination including a 30 litre waste bin. Refer to line drawing for outside dimensions. Not illustrated - same design as recessed version without trim.

LSP 3CS Satin.

* The recess depth is in accordance with surface protrusion, dependant on where the recess trim is fixed when installed. ie: A recess depth of 137mm will create a wall mounted protrusion of 36mm as the overall dimension is 173mm.

SPECIFICATION FOR HAND DRYER

Voltage/frequency	220/240v, 60hz
Consumption	10A
Heating element	2200w
Noise level	76 dB at 1 metre
Air speed	90km/h
Nominal power	2400w
Insulation	class 1
CE/UL Approved	



 SLIDING TRIM FOR RECESSING