

Bicycle shelters

1 Aluminium 5-space shelter

Structure

Anodised aluminium tubular uprights Ø 50 for assembly with cast aluminium connectors, locked in place with stainless steel screws.

Roof and cladding

10mm translucent anti-UV cellular polycarbonate glazing panels on an anodised aluminium profile frame. Side and back cladding is available (optional).

Extension

Capacity can be increased by adding extension units to the basic unit for 5 further bicycles.

Installation: Concreted into the ground.



2 Steel 5-space shelter

Same characteristics as the aluminium 5-space shelter, but made of 50mm zinc-electro plated steel tubes.

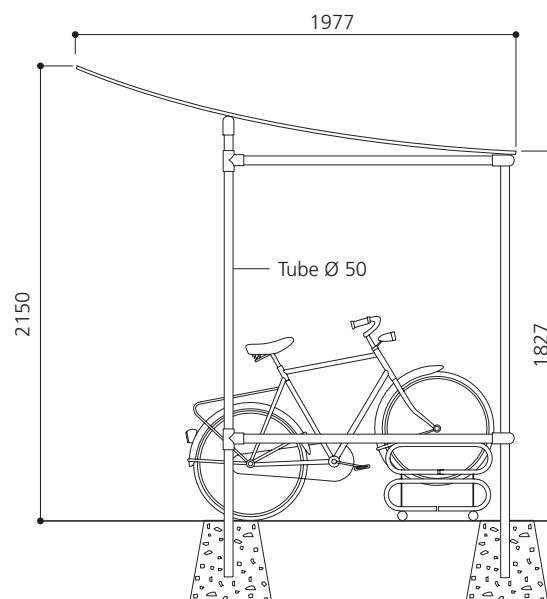
3 Optional bicycle stand

5-space bicycle stand in galvanised steel tube. Designed to fit in the shelter, alternately high/low stand for optimum use of space. May be used free standing or anchored to the ground (drilled with holes 10mm). Bolts not supplied.

Model	L x W x H	Code
1 Alu. 5-space shelter	2580 x 1977 x 2150	529260
Extension unit, 5-space	2550 x 1977 x 2150	529261
2 Steel 5-space shelter	2580 x 1977 x 2150	529250
Extension unit, 5-space	2550 x 1977 x 2150	529251

Cladding for 1 & 2

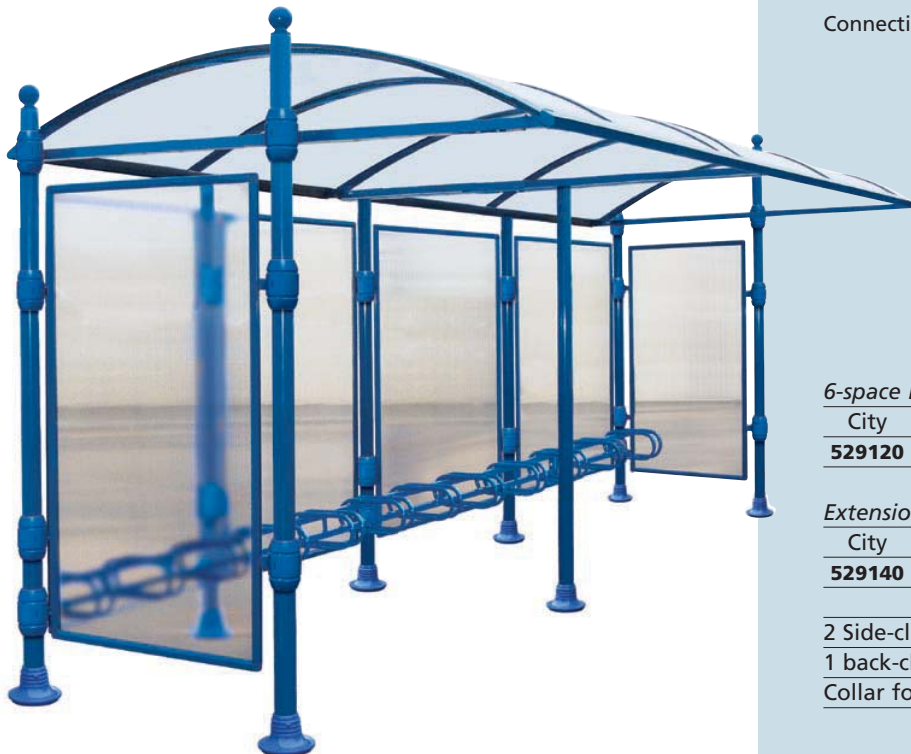
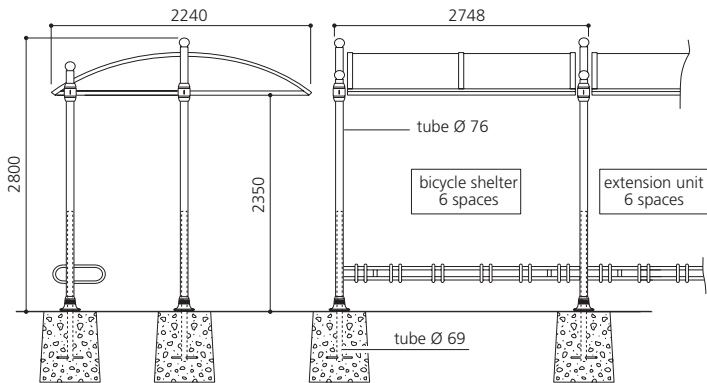
2 side-cladding panels	845 x 50 x 1620	529270
1 back-cladding panel (in 2 parts)	1230 x 50 x 1360	529271
3 Optional bicycle stand		204719



Decorative bicycle shelters



Cladding & attachment collars are optional.



Decorative aluminium shelter

Structure

Aluminium tube uprights: \varnothing 76. Height above ground between 2725mm and 2850mm depending on top cap: City, Agora, Sphere or Europe.

All cast aluminium decorative accessories include top caps, collars and the base covers. Stainless steel screw fittings supplied.

Base 1 for Europe or Sphere top caps, base 2 for Agora or City top caps (refer to page 77).

Roof

Frame comprising two aluminium tube beams: 40 x 60, attached by collars to the posts, two rolled aluminium rainwater gutters.

Curved aluminium profile roof arcs. Canopy made of 10mm translucent anti-UV cellular polycarbonate glazing. It is inserted in the two gutters and between the arcs.

Optional side cladding, back cladding and their attachment collars

Cladding: aluminium profile frame, glazing made of translucent cellular structure polycarbonate, thickness: 10mm, UV-stabilised.

Side cladding panels supplied in pairs, to be attached to posts by collars.

Back cladding comprising 2 panels with centre upright, to be attached to the posts by collars.

6-space bicycle stand

Included with the shelter and/or the extension units. Zinc-plated steel, painted in our RAL colours.

Finish

6-space bicycle stand included with the shelter and/or the extension units.

Zinc-plated steel, painted in our RAL colours.

Assembly

Assembly instructions supplied.

To be concreted directly into the ground.

Extension

Connecting modules can be supplied.

6-space Deco aluminium shelter

City	Agora	Sphere	Europe
529120	529121	529122	529123

Extension unit Deco aluminium shelter

City	Agora	Sphere	Europe
529140	529141	529142	529143

2 Side-cladding panels **529150**

1 back-cladding panel (in 2 parts) **529151**

Collar for cladding attachment **206000**

Bicycle shelters

1 "Moonshape" bicycle shelter

Structure

A contemporary shape: supporting members and crossbeams made from tubular steel assembled by bolts, nuts, caps and washers, (supplied).

Roof and cladding

Aluminium profile cross member and rainwater gutter.

Canopy made of 10mm translucent anti-UV cellular polycarbonate glazing.

White expanded 10mm PVC side cladding, supplied in pairs.

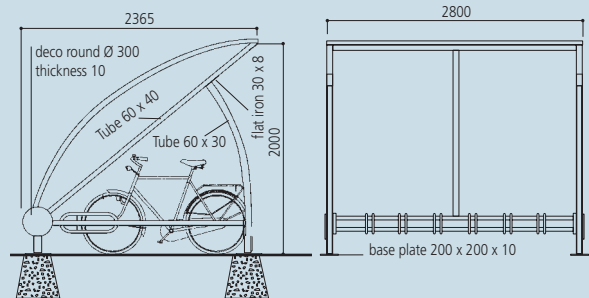
Bicycle stand

Integral to this shelter is a 6-space bicycle stand made of steel tube: Ø 22 attached to crossbeam by stainless steel screws (supplied). Colour matches that of the shelter.

Finish and assembly

Available in our RAL colours. Assembly instructions supplied. Installation on base plates and expansion plugs supplied.

Model	Code	L x W x H
Moonshape shelter - basic unit	529030	2800 x 2110 x 2365
Moonshape shelter - extension unit	529031	2800 x 2110 x 2365



2 "Voute" bicycle shelter

Structure

A sturdy unit. Framework comprising steel 80 x 80mm uprights, mounted on base plates. Upper part includes a U-shaped section to accommodate the roof.

2 versions: basic 2500mm unit or a version with extension module (picture 2).

Roof

The roof framework features two aluminium tubular crossbeams and two aluminium rainwater gutters that are fixed to built-in U-shaped sections of uprights.

Cladding

All cladding is optional. Side cladding and/or back cladding is delivered in two parts. Aluminium profile frame, 10mm translucent anti-UV cellular polycarbonate glazing.

Bicycle stand options

Refer to page 46. Featured is 6-space stand with choice of top cap and extension modules by multiples of 6 spaces.

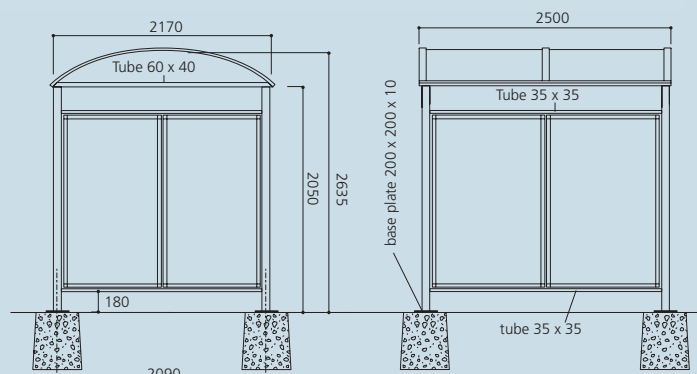
Finish and assembly

Painted, galvanised steel. Available in our RAL colours. Assembly instructions supplied. Installation on base plates and expansion plugs supplied.

Model	Code	L x H x W
Basic shelter unit	529040	2500 x 2635 x 2170
Extension unit	529041	2500 x 2635 x 2170
1 Side cladding (2 parts)	529042	967 x 1750 x thickness 20
1 Back cladding (2 parts)	529043	1150 x 1750 x thickness 20



Cladding and bicycle stands optional.



Non contractual sketch. This is not a ground installation drawing.



Covered walkway, with or without side cladding, to link industrial premises, school or administrative buildings and to shelter pedestrian areas from inclement weather. Same characteristics and dimensions as **2**, page 52.

<i>Covered walkway</i>	<i>Code</i>	<i>L x H x W</i>
Basic walkway unit	529040	2500 x 2635 x 2170
Additional walkway unit	529041	2500 x 2635 x 2170
1 Side cladding (2 parts)	529043	1150 x 1750 x thickness 20

